

# TLY5FK

## High Energy-optimized Compressor

### R134a

### 220-240V 50Hz

Data Sheet (Replaces CG.42.I3.02)

#### General

Compressor	TLY5FK
Code number	102G4547

#### Application

Application	LBP	
Evaporating temperature range	°C	-35 to -10
Voltage range	V/Hz	198 - 254 /50
Motor type	RSCR/RSIR	
Max. ambient temperature	°C	43*
Comp. cooling at ambient temp.	32°C	S
	38°C	S
	43°C	S

\* run capacitor 4 µF compulsory in 43°C ambient temperature

#### Design

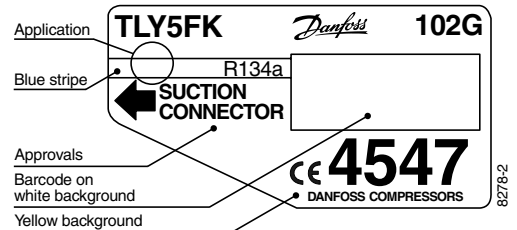
Displacement	cm <sup>3</sup>	5.08
Oil quantity	cm <sup>3</sup>	180
Maximum refrigerant charge	g	400
Free gas vol. in compressor	cm <sup>3</sup>	1790
Weight without electrical equipment	kg	7.6

#### Motor

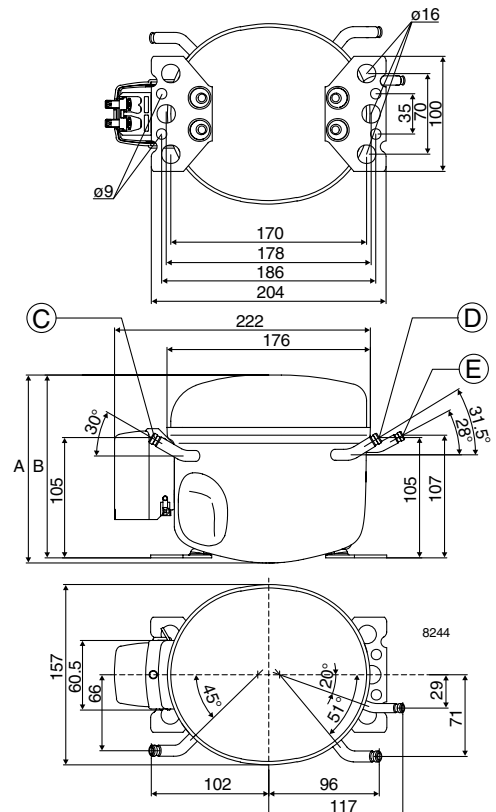
Motor size	watt	105
LRA (rated after 4 sec. UL984) LST	A	4.0
Cut-in current LST	A	8.5
Resistance, main and start winding (25°C)	Ω	18.9/15.3
Approvals	EN 60335-2-34 with Annex AA	

#### Dimensions

Height	mm	A	173
		B	169
Suction connector	location/I.D. mm	C	6.2 ±0.09
Process connector	location/I.D. mm	D	6.2 ±0.09
Discharge connector	location/I.D. mm	E	5.0 +0.12/+0.20
Compressors on a pallet	pcs.		125



- S = Static cooling normally sufficient
- O = Oil cooling
- F<sub>1</sub> = Fan cooling 1.5 m/s  
(compressor compartment temperature equal to ambient temperature)
- F<sub>2</sub> = Fan cooling 3.0 m/s necessary



**Capacity (EN 12900/CECOMAF)**

**watt**

Comp.\°C	-35	-30	-25	-23.3	-20	-15	-10
TLY5FK	49.9	71.5	98.0	108	130	169	216

**Capacity (ASHRAE)**

**watt**

Comp.\°C	-35	-30	-25	-23.3	-20	-15	-10
TLY5FK	61.5	88.1	121	134	161	209	267

**Power consumption**

**watt**

Comp.\°C	-35	-30	-25	-23.3	-20	-15	-10
TLY5FK	71.4	83.6	97.0	102	112	128	146

**Current consumption**

**A**

Comp.\°C	-35	-30	-25	-23.3	-20	-15	-10
TLY5FK	0.43	0.49	0.55	0.57	0.62	0.68	0.76

**COP (EN 12900/CECOMAF)**

**W/W**

Comp.\°C	-35	-30	-25	-23.3	-20	-15	-10
TLY5FK	0.70	0.85	1.01	1.06	1.17	1.32	1.48

**COP (ASHRAE)**

**W/W**

Comp.\°C	-35	-30	-25	-23.3	-20	-15	-10
TLY5FK	0.86	1.05	1.25	1.31	1.44	1.64	1.83

Test conditions EN 12900/CECOMAF ASHRAE  
 Condensing temperature 55°C 55°C  
 Ambient and suction gas temp. 32°C 32°C  
 Liquid temperature 55°C 32°C  
 Static cooling, with RC 4 µF, 220V 50Hz,  
 PTC consumption included (two watt power consumption to be subtracted,  
 when ePTC is used; this is also affecting the COP)

**Accessories**

Devices	Fig.	TLY5FK
PTC starting device	6.3 mm spades	a1
	4.8 mm spades	(pos.1)
ePTC starting device	4.8 mm spades	a1
PTC starting device	6.3 mm spades	(pos.2)
	4.8 mm spades	
Cover	b	103N2010
Cord relief	d	103N1010
Run capacitor 4 µF (optional)	6.3 mm spades	e
	4.8 mm spades	
Protection screen for PTC	g	103N0476
Mounting accessories		
Bolt joint for one compressor		118-1917
Bolt joint in quantities		118-1918
Snap-on in quantities		118-1919

\* run capacitor 4 µF compulsory in 43°C ambient temperature

